

Hunter
INDUSTRIAL & COMMERCIAL DIVISION

Product Catalog 2024

WE MOVE AIR.



AMCA CERTIFICATION

Hunter Industrial certifies that the Titan, ECO, and XP models shown herein are licensed to bear the AMCA seal. The ratings shown are based on tests and procedures performed in accordance with AMCA Publication 211 and comply with the requirements of the AMCA Certified Ratings Program.

The AMCA Certified Ratings Program seal applies to air performance for models Titan, ECO, and XP only.
The AMCA Certified Ratings Program seal applies to the CFEI for models Titan, ECO, and XP only.
The AMCA Certified Ratings Program seal applies to airflow rate and power rating free delivery only.

Performance ratings do not include the effects of appurtenances.

No part of this document may be reproduced or translated into a different language or format without the prior written consent of Hunter Fan Company. The information contained in this document is subject to change without notice.



CONTENTS

INDUSTRIAL

AIR CIRCULATORS

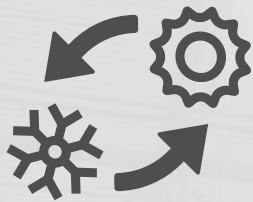
COMMERCIAL

TECHNICAL SPECS

INDUSTRIAL FAN BENEFITS

Proper air circulation is essential when it comes to keeping your building **safe**, your business **productive**, and your employees and guests **comfortable**. Large diameter industrial ceiling fans, known as **HVLS (High-Volume, Low-Speed)** fans, generate massive airflow, and are capable of creating a cooling effect of nearly 10°F.

HVLS fans can reduce winter heating and summer cooling expenses by as much as 30% and cost just pennies an hour to operate!



Cool an environment when it is hot, recirculate heat when it is cold.



Reduce the effects of humidity, creating a drier and safer environment.



Reduce the effects of odors, vapors, and steam.



Save on costs linked with energy, employee turnover, product loss, and more.

WHY HUNTER HVLS FANS?



Support

From order and delivery to installation and cleaning, we are there when you need us!



Lead Times

We are fully stocked and ready for you! Most orders ship within TEN DAYS.



Quality

Built to last, with state-of-the-art design, industrial grade materials, and intuitive controls!



Warranty

Hunter's HVLS fans are backed by a Limited Lifetime Warranty*, the best in the industry!

*Applies to Titan, ECO, and XP.



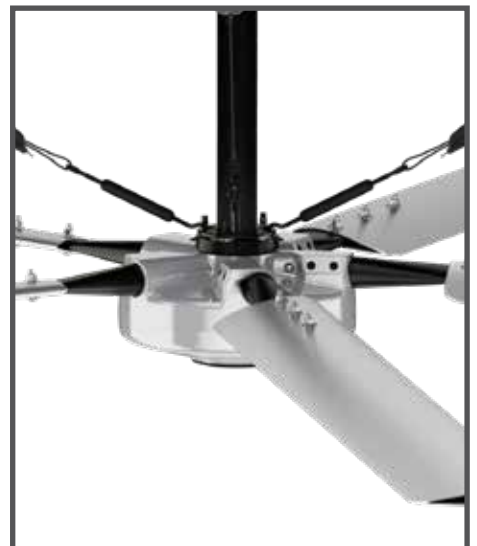
14'-24' Diameter
(4.3-7.3 meters)

TITAN

- **Direct Drive Motor**
- **Best performance in industry**
- **Limited Lifetime Warranty**

Technical specs on page 34.

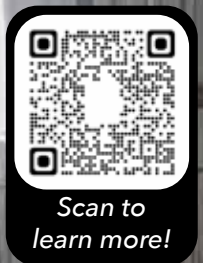
Titan, Hunter's flagship HVLS fan, provides the widespread air movement facilities need to help drive down operating costs year-round, while keeping occupants comfortable and safe. Titan's direct drive motor technology is specifically designed for the HVLS market, making it quiet and energy efficient while providing the highest level of air movement that Hunter has to offer. Titan's patented, structural-grade steel blade-holder ensures a safe, secure fit at the perfect blade pitch every time.





IDEAL FOR:

- Manufacturing Facilities
- Warehouses
- Distribution Centers
- Agriculture & Horticulture
- Fitness Centers
- Automotive Centers



8'-24' Diameter
(2.5-7.3 meters)

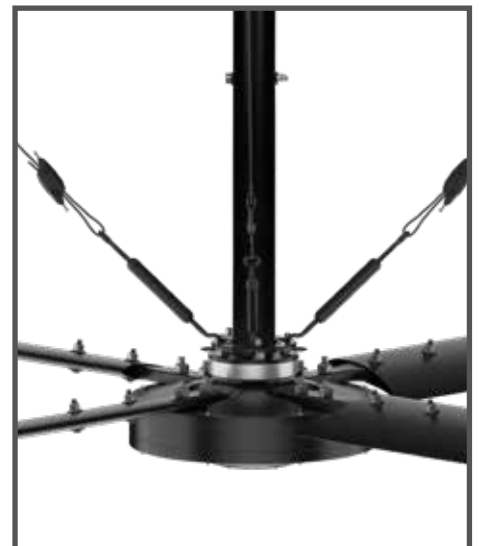
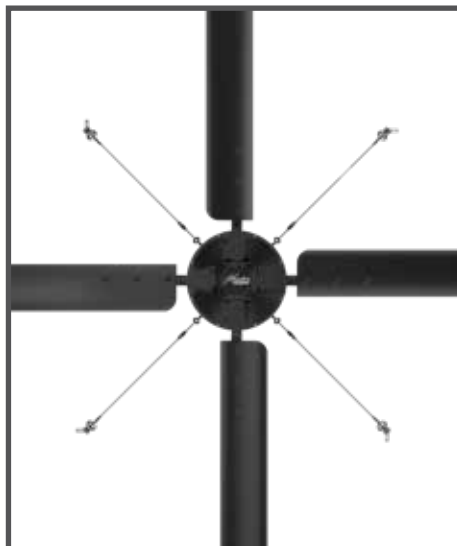


ECO

- **Direct Drive Motor**
- **Turn-key installation solutions**
- **Limited Lifetime Warranty**

Technical specs on page 34.

The ECO HVLS Fan is the perfect choice for any facility looking to keep occupants comfortable, productive, and safe at an economical price point. With a direct-drive motor and blades designed by aerospace engineers, ECO provides quiet, energy efficient air flow to match the demands of most applications. Maintain a feature rich solution by pairing ECO with any of Hunter's digital, Power over Ethernet HVLS controller options.



IDEAL FOR:

- Manufacturing Facilities
- Warehouses
- Gyms
- Lobbies and Atriums
- Aviation Hangars
- Automotive Centers



Scan to
learn more!

7'-14' Diameter
(2.2-4.3 meters)



XP

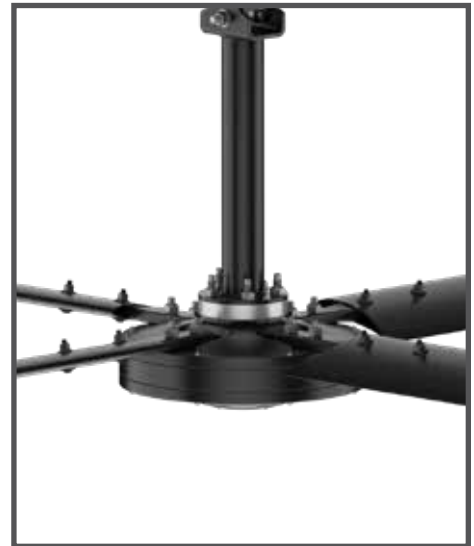
- Light weight industrial and commercial HVLS fan
- Rigid mount; no guy wires
- Limited Lifetime Warranty

Technical specs on page 35.

The highly efficient Hunter XP HVLS Fan is designed for year-round cost savings, comfort, and hassle-free installation. Engineered with a direct drive motor and industrial components, XP fans come with a 2' rigid mount downrod while using the US supply voltage standard, 120V. XP is the ideal option for tighter spaces that need the benefits of HVLS but may not have the room for a larger fan or the need for guy wires.



*AMCA Certified Ratings Program seal does not apply to the XP 7'.



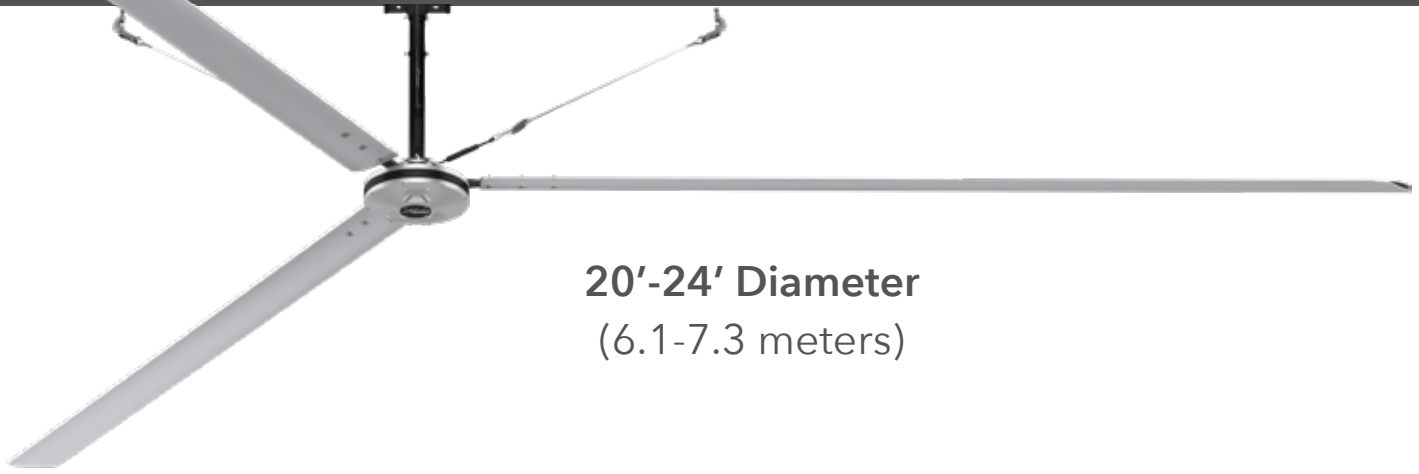


IDEAL FOR:

- Automotive Centers
- Garages
- Barns
- Fitness Centers
- Restaurants & Bars
- Event Venues



Scan to
learn more!



20'-24' Diameter
(6.1-7.3 meters)

DDI

- **Direct Drive Motor**
- **Three Speed Analog Controller**
- **Fast and Easy Installation**

Technical specs on page 35.

The DDI is an industrial fan built for simplicity and powerful air circulation. DDI is the perfect option for any facility looking to provide greater air movement in large spaces such as warehouses, manufacturing centers, shipping or dock and door areas. DDI is designed for minimal complexity while providing significant airflow due to its custom-built direct drive motor and 3 aerodynamically efficient blades.





IDEAL FOR:

- Manufacturing Facilities
- Warehouses
- Distribution Centers
- Agriculture & Horticulture
- Fitness Centers
- Automotive Centers

HVLS FAN CONTROLLERS

Touchscreen HMI's and User Interfaces for Titan, ECO, and XP.



350 Controller

- 3.5" P-CAP touchscreen
- Controls up to 10 fans



500 Controller

- 5" P-CAP touchscreen
- Controls up to 30 fans



700E: Environmental Control Package

This HVLS fan controller allows you to manage a network of up to 30 fans all from one location, individually or in groups. The 700E HVLS Controller intuitively senses and regulates the temperature and humidity in your building. After programming your desired temperature and humidity levels, your fan network will work to keep your building safe, your occupants comfortable, and your workflow uninterrupted.

- Most efficient way to run a facility's fans
- Automatic configuration
- Quick install, no additional power necessary
- 1-Touch Seasonal Adjustment

700E System includes: 7" Touchscreen Control, 2 Temperature & Humidity Sensors and Network Hub, and CAT5 cables.



COLORS

When it comes to customizing your Hunter Industrial & Commercial Fan, we've got you covered. Whether you are looking for a classic color upgrade or want to match your company's color, our powder coat options will accentuate your space, making it all your own. Upgraded standard colors include eleven options. Your options for custom colors are as far reaching as your imagination. Additional fees apply.



Hunter Red
Bengal Red
RAL 049/33333

Hunter Orange
Pure Orange
RAL 2004

Hunter Yellow
Bengal Yellow
RAL 049/66666

Hunter Green
Green
RAL 6018

Hunter Teal Blue
Traffic Blue
RAL 5017

Hunter Brown
Sepia Brown
RAL 8014

Hunter Light Gray
Telegray1
RAL 7045

Hunter Medium Gray
Iron Gray
RAL 7011

Hunter Dark Gray
Anthracite Gray
RAL 7016

Hunter Black
Bengal Black
RAL 049/88888

Hunter White
Bengal White
RAL 049/11111

*Custom color program only available on certain fans.

INNOVATION

Leading the way in HVLS technology



DIRECT DRIVE MOTOR

Hunter Industrial & Commercial is the very first HVLS manufacturer to offer a direct drive motor standard with all HVLS fans! Hunter's direct drive system has no need for oil, and delivers efficient, reliable, and quiet operation! **Standard with EVERY HVLS fan.**

ADJUSTABLE DOWNROD

The Adjustable Downrod is an innovation that incorporates telescoping design and industrial grade bolts to ensure ease of installation and confidence in quality. By giving the installer the option to lengthen or shorten the downrod depending on the requirements of the space, Hunter Industrial & Commercial customers can be assured that when their fan arrives, it will fit perfectly. **Standard with Titan, ECO, and DDI.**



IP66 DRIVE ENCLOSURE

The IP66 Drive Enclosure from Hunter Industrial & Commercial is designed for those who need fans in unpredictable conditions. The enclosure protects the fan's drive from moisture and particles like dust and sand, making Hunter HVLS fans ready for any application. **The IP66 Drive Enclosure is available as an upgrade to our standard VFD enclosure.**



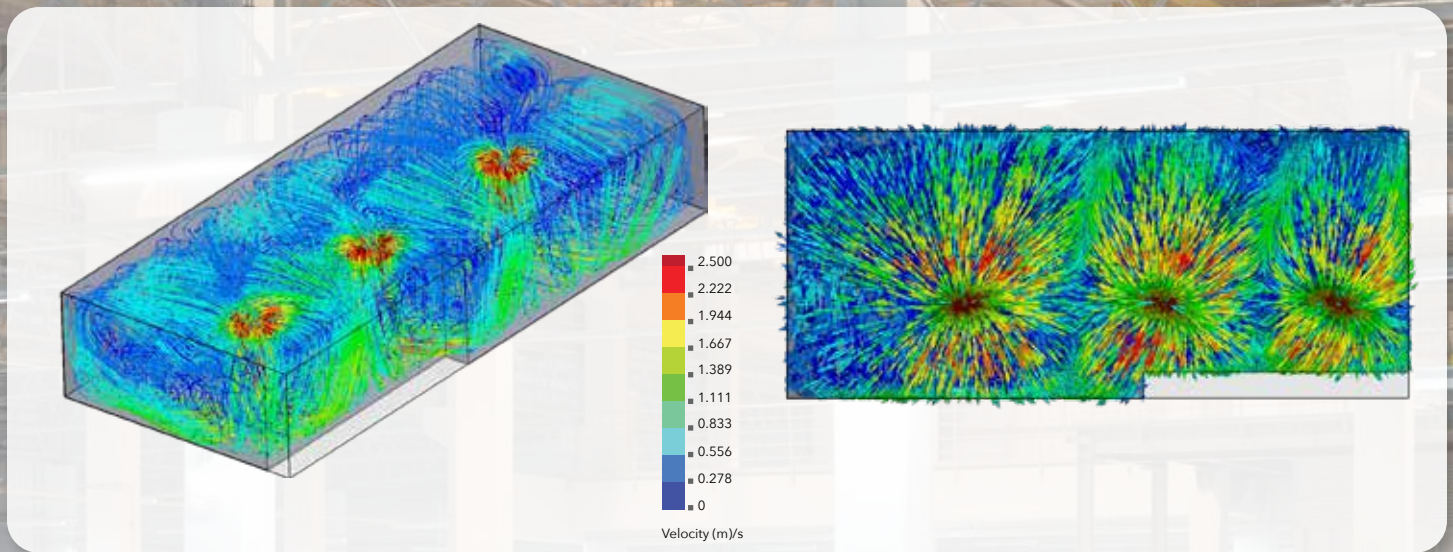
Scan to
learn more!

AIRFLOW SIMULATIONS

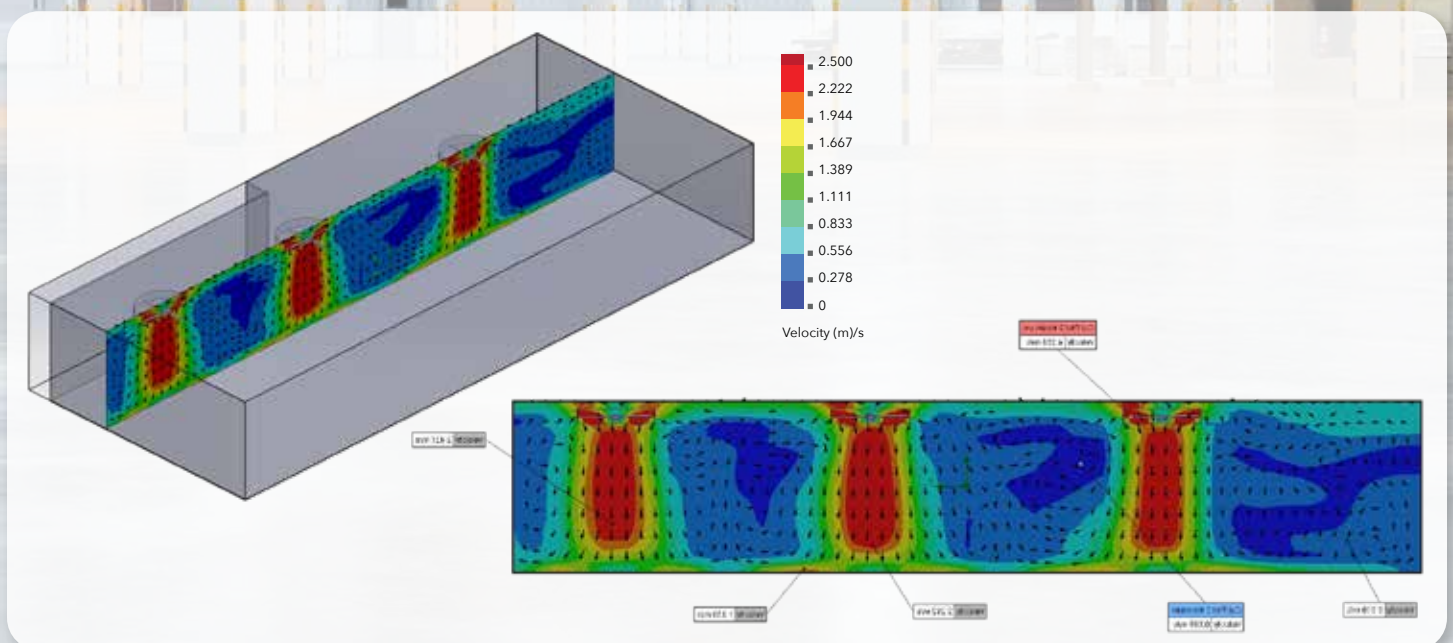
Computational Fluid Dynamics (CFD) are available upon request.

Example below is a building with dimensions approximately 55 ft (16.8 m) wide by 130 ft (39.5 m) long with a maximum height of 25 ft (7.5 m). The use of 3 Hunter ECO 10' Fans with 2' Downrods are simulated.

Bottom view shown below.



Cross section view through centerline of each fan. Maximum and minimum velocities are shown below.





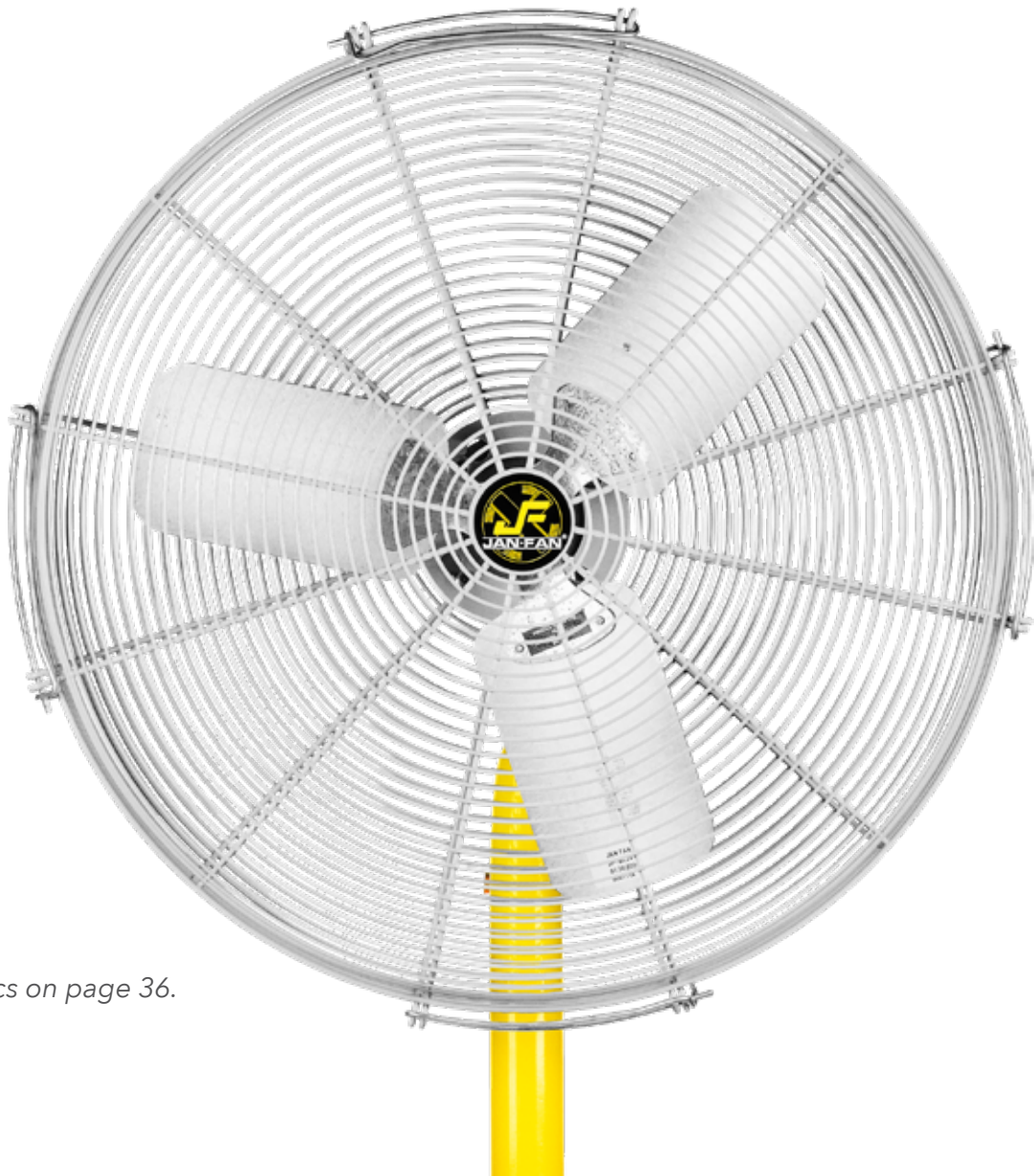


JAN FAN

PRODUCT DETAILS

- **Modular Design Delivers Ultimate Flexibility**
- **Full 5-year Warranty**
- **Available in 20", 24", and 30"**
- **Color Options: Silver and Safety Yellow**

Since 1958, Jan Fan has been a leading manufacturer of industrial air circulation fans that are extremely energy efficient and designed to last. Jan Fan has rightfully earned its reputation as the standard within automotive and heavy industrial applications by providing superior quality and outstanding customer service for over 60 years. Each fan is engineered for a long product life and ease of maintenance. Their durability has been proven over time and under the most rigorous circumstances.



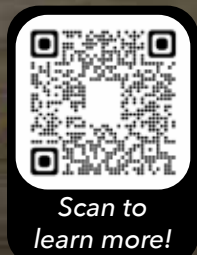
Technical specs on page 36.

AIR CIRCULATORS



IDEAL FOR:

- Manufacturing
- Automotive Centers
- Warehouses
- Horticulture
- Distribution Centers
- Aviation Hangars





AIR CIRCULATORS

MOUNTING OPTIONS

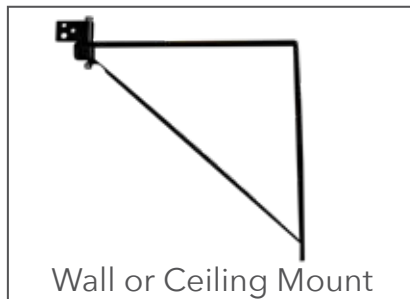
Jan Fan Industrial Air Circulators are available in multiple sizes and mounting options to meet your facility's airflow needs!



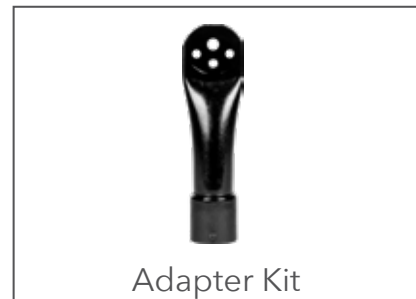
Pedestal Mount



I-Beam/C-Channel Mount



Wall or Ceiling Mount



Adapter Kit



Articulating Arm*

**Not compatible with the 30" Jan Fan.*

DRUM FAN

- 2-speed, high-efficiency, totally enclosed motor
- Indoor/outdoor use
- Available in 36" & 42"
- 10' long, 3-conductor power cord
- Color: Safety Yellow
- 2-year Warranty

Technical specs on page 37.



HIGH POWER LED LIGHT

- Durable aluminum housing and rugged components designed to withstand industrial applications
- **No additional power source needed!**
- Compatible with **ALL** Jan Fan sizes and mounting options
- Fan and light can be mounted simultaneously
- Safety Yellow for enhanced visibility
- Cool to the touch
- 50,000-hour LED life
- ETL/cETL/CE



ENERGY SAVING MODULE

- Work with 20", 24", & 30" Jan Fans.
- Automatically shuts off fan after 4, 5, 6, OR 10 hours
- Saves energy, unnecessary dirt build-up on fan parts, and motor wear, which translates to longer fan life.

JAN FAN FILTER

- Available in 20", 24", & 30"
- Type: Fan Shroud
- Material: Polyester
- Wrap Type: Elastic Band
- Style: Round
- Color: White
- Closure Type: Velcro



WORKSTATION FAN

PRODUCT DETAILS

- 3-speed, high-efficiency, totally enclosed motor
- Available in 12" & 18"
- Quick release guards
- 2-year warranty

The Workstation Fan from Jan Fan provides the same trusted quality associated with the Jan Fan brand in a smaller, more versatile design. These 3-speed fans are extraordinarily efficient and light weight, and move tremendous amounts of air. The Workstation Fan can be placed on a workbench or on the floor, or can be mounted to the wall or ceiling. With a 10' long, 3-conductor power cord, these fans can easily be moved wherever reliable airflow is needed.

Technical specs on page 37.





DRUM FAN

- AVAILABLE IN 36" AND 42"
- 2-SPEED, HIGH-EFFICIENCY MOTOR
- POWDER COATED
- 1-YEAR WARRANTY
- COLOR: BLACK



PEDESTAL FAN

- AVAILABLE IN 24" AND 30"
- 3-SPEED, HIGH-EFFICIENCY MOTOR
- POWDER COATED
- 1-YEAR WARRANTY
- COLOR: BLACK



HUNTER AIR CIRC





ORBITAL WALL FAN WITH REMOTE

- AVAILABLE IN 20"
- 3-SPEED, HIGH-EFFICIENCY MOTOR
- POWDER COATED
- 1-YEAR WARRANTY
- COLOR: BLACK



OSCILLATING OUTDOOR PEDESTAL FAN

- AVAILABLE IN 24" AND 30"
- 3-SPEED, HIGH-EFFICIENCY MOTOR
- POWDER COATED
- 1-YEAR WARRANTY
- COLOR: BLACK



Technical specs on page 38

ULATORS



Scan to
learn more!



AIR CIRCULATORS



5'-8' Diameter
(1.5-2.4 meters)



TRAK

PRODUCT DETAILS

- **Modern commercial fan**
- **Reversible, 8-speed motor**
- **3-year warranty**

The Trak modern commercial ceiling fan collection works where comfort is as important as style and durability. This commercial ceiling fan is available in four sizes, three versatile finishes, and an LED light option to fit your space's size, style, and lighting needs. The Trak commercial ceiling fan, Hunter's perfect combination of aesthetic appeal and air circulation, provides consistent, controlled airflow in sizable open-concept spaces while keeping guest comfort at the forefront. Trak is perfect for bars, restaurants, patios, fitness facilities, meeting areas, and much more.

Technical specs on page 39.



FRESH WHITE



MATTE SILVER



MATTE BLACK



IDEAL FOR:

- Restaurants
- Patios
- Retail shops
- Gyms
- Lobbies



Scan to
learn more!



5'-8' Diameter
(1.5-2.4 meters)

TRAK WIRED

PRODUCT DETAILS

- **Modern commercial fan**
- **Reversible, 8-speed motor**
- **3-year warranty**

Technical specs on page 39.



FRESH WHITE MATTE SILVER MATTE BLACK

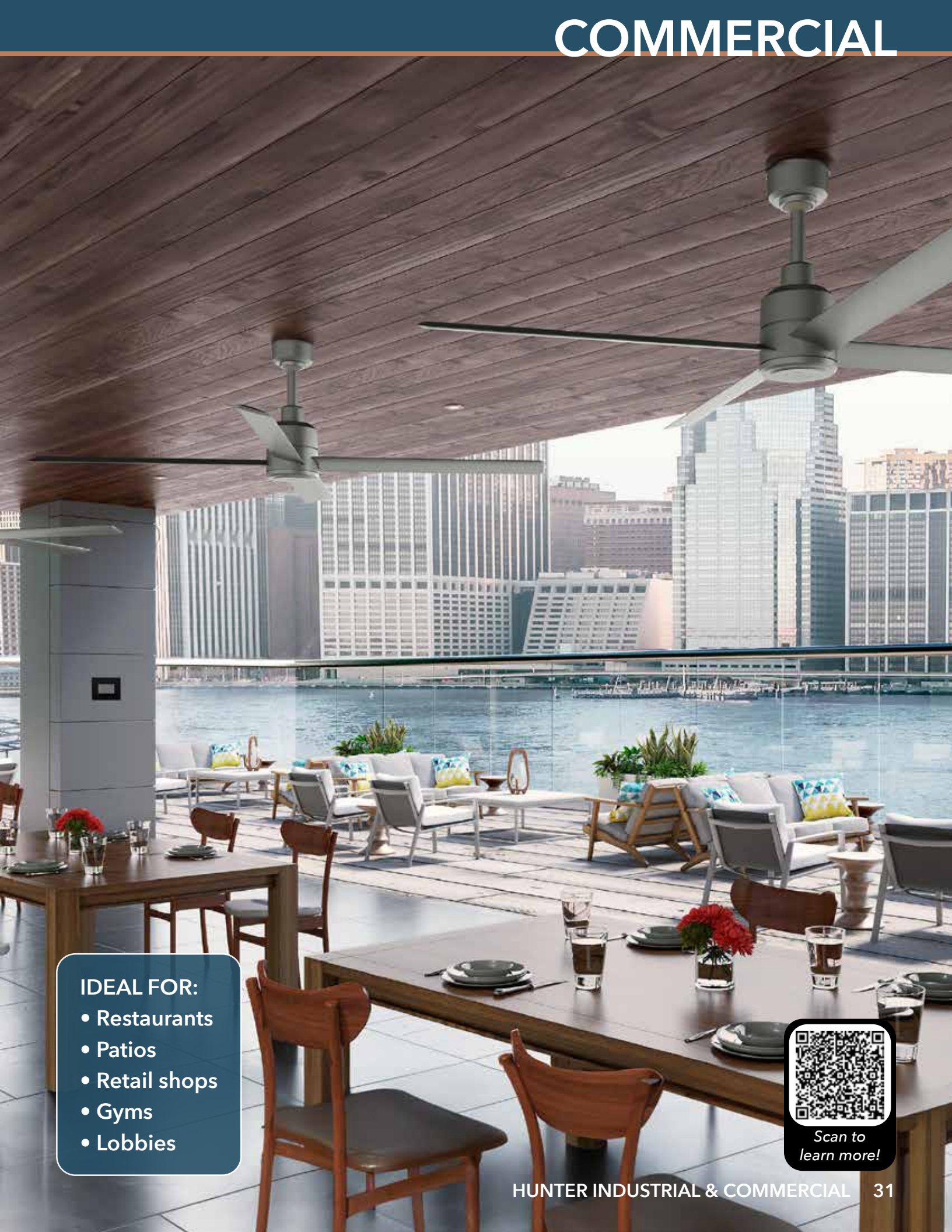
Trak Wired expands our commercial fan lineup by introducing enhanced controls and automated features, and is engineered specifically for commercial spaces.

The true innovation with Trak Wired is in its wall control, which, depending on the model selected, allows users to adjust fan speed, change spin direction, and schedule run times for an individual fan or an ENTIRE NETWORK OF FANS, all at the touch of a button. No need to worry about multiple wall switches or easy-to-lose remote controls.



Basic Wall Control, 3" Touchscreen Wall Control, 4" Touchscreen Wall Control

Trak Wired is designed for commercial spaces that value stylistic appeal AND effective airflow. It is available in four sizes, three versatile finishes, and an LED light option to fit your space's size, style, and lighting needs, and is ideal for restaurants, fitness centers, patios, sports facilities, and much more.



IDEAL FOR:

- Restaurants
- Patios
- Retail shops
- Gyms
- Lobbies



Scan to
learn more!





TITAN

ADJUSTABLE DOWNRODS AVAILABLE			
FEET	2.5 - 4	4.5 - 6	6.5 - 10
INCHES	30 - 48	54 - 72	78 - 120
METERS	.77 - 1.22	1.38 - 1.83	1.99 - 3.05

5 AIRFOILS MATERIAL	6005A STRUCTURAL GRADE ALUMINUM
CERTIFICATIONS	ETL/INTERTEK-CERTIFIED TO ANSI/UL 507 AND CSA C22.2 NO.113, IEC 61800-3, CE, AMCA CERTIFIED
WARRANTY	LIMITED LIFETIME WARRANTY

FAN DIAMETER	INPUT POWER & RATED CURRENT (A)				MAX WATTS	FAN SPACING	MAX AFFECTED AREA	MAX SPEED	NOISE	WEIGHT
	FT	480V/3PH	240V/3PH	240V/1PH						
14	3.0	3.5	6.5	-	715	70	7,744	103	<55	168
16	3.0	3.5	6.5	-	1,013	80	10,000	95	<55	175
18	3.0	3.5	6.5	-	1,472	90	12,769	93	<55	183
20	3.0	3.5	6.5	-	1,020	100	15,625	73	<55	190
24	3.0	3.5	6.5	-	1,219	120	22,500	64	<55	204

ECO

ADJUSTABLE DOWNRODS AVAILABLE			
FEET	2.5 - 4	4.5 - 6	6.5 - 10
INCHES	30 - 48	54 - 72	78 - 120
METERS	.77 - 1.22	1.38 - 1.83	1.99 - 3.05

4 BLADES	6005A STRUCTURAL GRADE ALUMINUM
CERTIFICATIONS	ETL/INTERTEK-CERTIFIED TO ANSI/UL 507 AND CSA C22.2 NO.113, IEC 61800-3, CE, AMCA CERTIFIED
WARRANTY	LIMITED LIFETIME WARRANTY

FAN DIAMETER	INPUT POWER & RATED CURRENT (A)				MAX WATTS	FAN SPACING	MAX AFFECTED AREA	MAX SPEED	NOISE	WEIGHT
	FT	480V/3PH	240V/3PH	240V/1PH						
8	2.0	3.5	6.5	-	486	32	1600	156	<55	87
10	3.0	3.5	6.5	-	749	40	2500	139	<55	94
12	3.0	3.5	6.5	-	777	48	3600	108	<55	101
14	3.0	3.5	6.5	-	713	56	4900	108	<55	128
16	3.0	3.5	6.5	-	1,013	64	6400	94	<55	135
18	3.0	3.5	6.5	-	849	72	8100	80	<55	138
20	3.0	3.5	6.5	-	920	80	10000	77	<55	145
24	3.0	3.5	6.5	-	1,124	96	14400	62	<55	159

XP

FIXED DOWNRODS AVAILABLE			
FEET	2	3	4
INCHES	24	36	48
METERS	0.6096	0.9144	1.2192

4 BLADES	6005A STRUCTURAL GRADE ALUMINUM.
CERTIFICATIONS	ETL/INTERTEK-CERTIFIED TO ANSI/UL 507 AND CSA C22.2 NO.113, IEC 61800-3, CE, AMCA CERTIFIED
WARRANTY	LIMITED LIFETIME WARRANTY

FAN DIAMETER	INPUT POWER & RATED CURRENT (A)				MAX WATTS	FAN SPACING	MAX AFFECTED AREA	MAX SPEED	NOISE	WEIGHT
	480V/3PH	240V/3PH	240V/1PH	120V/1PH						
7*	-	-	-	8.3	227	32	1225	138	<55	100
8	-	-	-	8.3	474	32	1600	104	<55	104
10	-	-	-	8.3	821	40	2500	93	<55	108
12	-	-	-	8.3	786	48	3600	71	<55	117
14	-	-	-	8.3	723	56	4900	72	<55	121

*AMCA Certified Ratings Program seal does not apply to the XP 7.

DDI

ADJUSTABLE DOWNRODS AVAILABLE			
FEET	2.5 - 4	4.5 - 6	6.5 - 10
INCHES	30 - 48	54 - 72	78 - 120
METERS	.77 - 1.22	1.38 - 1.83	1.99 - 3.05

3 BLADES	CLEAR ANODIZED
CERTIFICATIONS	ETL/INTERTEK TO ANSI/UL 507 CSA C22.2 NO 113 IN NORTH AMERICA INTERNATIONAL IEC 61800-3 CE
WARRANTY	5 YEARS, NON-PRORATED LIFETIME WARRANTY ON AIRFOILS

FAN DIAMETER	INPUT POWER & RATED CURRENT (A)				MAX WATTS	FAN SPACING	MAX AFFECTED AREA	MAX SPEED	NOISE	WEIGHT
	480V/3PH	240V/3PH	240V/1PH	120V/1PH						
20	3.0	3.5	6.5	-	558	60	11,000	71	<55	141
24	3.0	3.5	6.5	-	482	72	13,000	51	<55	150

Scan for
Technical
& Warranty
Documents.





Scan for technical & warranty documents.

JAN FAN

Mount Option	Model Number	Product Description	Length	Width	Height	CFM	DB	RPM (H/L)	Blade Dia.	Guard Blade Dia.	Power Cord Length	Weight (LB)
I-BEAM	#JF-BMF20-DCS	20" - 2 SPEED I-BEAM MOUNT FAN COMPLETE W/ DROP CORD SWITCH	49.75"	24.6"	24.6"	2,818	60.2	1100/900	20"	24.6"	18'	49
	#JF-BMF24-DCS	24" - 2 SPEED I-BEAM MOUNT FAN COMPLETE W/ DROP CORD SWITCH	50.77"	30.6"	30.6"	3,935	64	1100/900	24"	30.6"	18'	56
	#JF-BMF30-DCS	30" - 2 SPEED I-BEAM MOUNT FAN COMPLETE W/ DROP CORD SWITCH	49.75"	36.6"	36.6"	5,179	70.9	1100/900	30"	36.6"	18'	62
C-CHANNEL	#JF-CCM20-DCS	20" - 2 SPEED C-CHANNEL MOUNT FAN COMPLETE W/ DROP CORD SWITCH	24.6"	24.6"	49.75"	2,818	60.2	1100/900	20"	24.6"	18'	49
	#JF-CCM24-DCS	24" - 2 SPEED C-CHANNEL MOUNT FAN COMPLETE W/ DROP CORD SWITCH	30.6"	30.6"	50.77"	3,935	64	1100/900	24"	30.6"	18'	56
	#JF-CCM30-DCS	30" - 2 SPEED C-CHANNEL MOUNT FAN COMPLETE W/ DROP CORD SWITCH	36.6"	36.6"	49.75"	5,179	70.9	1100/900	30"	36.6"	18'	62
ADAPTOR KIT	#JF-AKF20-DCS	20" - 2 SPEED ADAPTOR KIT MOUNT FAN COMPLETE W/ DROP CORD SWITCH	13.75"	24.6"	24.6"	2,818	60.2	1100/900	20"	24.6"	18'	39
	#JF-AKF24-DCS	24" - 2 SPEED ADAPTOR KIT MOUNT FAN COMPLETE W/ DROP CORD SWITCH	13.75"	30.6"	30.6"	3,935	64	1100/900	24"	30.6"	18'	46
	#JF-AKF30-DCS	30" - 2 SPEED ADAPTOR KIT MOUNT FAN COMPLETE W/ DROP CORD SWITCH	13.75"	36.6"	36.6"	5,179	70.9	1100/900	30"	36.6"	18'	52
WALL/CEILING	#JF-WCM20-DCS	20" - 2 SPEED WALL/CEILING MOUNT FAN COMPLETE W/ DROP CORD SWITCH	32.25"	24.6"	24.6"	2,818	60.2	1100/900	20"	24.6"	18'	43
	#JF-WCM24-DCS	24" - 2 SPEED WALL/CEILING MOUNT FAN COMPLETE W/ DROP CORD SWITCH	32.25"	30.6"	30.6"	3,935	64	1100/900	24"	30.6"	18'	50
	#JF-WCM30-DCS	30" - 2 SPEED WALL/CEILING MOUNT FAN COMPLETE W/ DROP CORD SWITCH	32.25"	36.6"	36.6"	5,179	70.9	1100/900	30"	36.6"	18'	56
PEDESTAL	#JF-PF20-DCS	20" - 2 SPEED PEDESTAL FAN COMPLETE W/ DROP CORD SWITCH	32.25"	24.6"	72.30"	2,818	60.2	1100/900	20"	24.6"	18'	71
	#JF-PF24-DCS	24" - 2 SPEED PEDESTAL FAN COMPLETE W/ DROP CORD SWITCH	32.25"	30.6"	75.30"	3,935	64	1100/900	24"	30.6"	18'	78
	#JF-PF30-DCS	30" - 2 SPEED PEDESTAL FAN COMPLETE W/ DROP CORD SWITCH	32.25"	36.6"	78.3"	5,179	70.9	1100/900	30"	36.6"	18'	84

3 BLADES	SPRING-TYPE STEEL BLADES WITH FRONT HUB
CERTIFICATIONS	ETL CERTIFIED
WARRANTY	5 YEARS

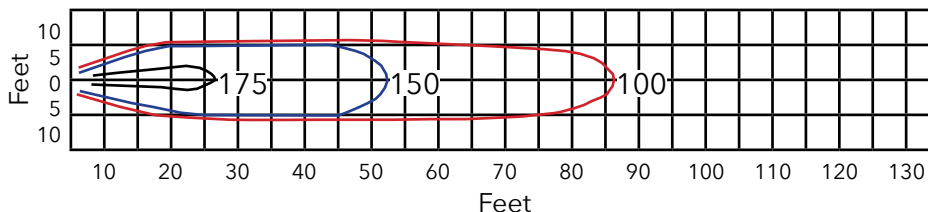
MOTOR POWER	1/4 HP
INPUT POWER	1PH 115V 60HZ, 1 PH 230V 50HZ
2 SPEED CONTROL	ROCKER SWITCH
MAX CURRENT AT FULL SPEED	2.4 AMPS / 1.2 AMPS

TECHNICAL SPECS

AIR VELOCITY PATTERNS IN FT./MIN.

20"

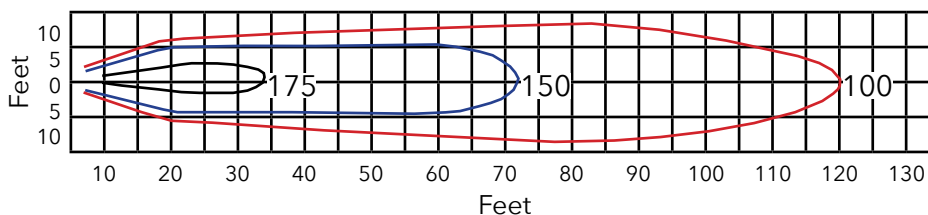
PEDESTAL FAN



Cooling Effect: At 175ft/min = 10.3°F At 150ft/min = 9.9°F At 100ft/min = 8.7°F

24"

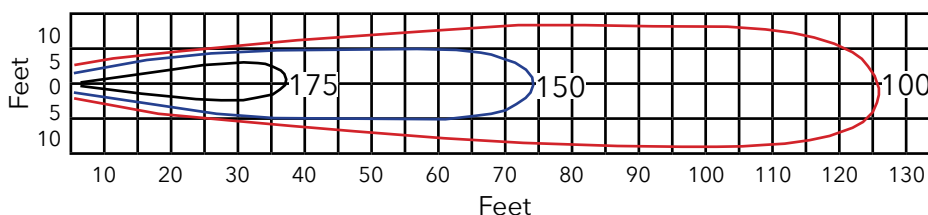
PEDESTAL FAN



Cooling Effect: At 175ft/min = 10.3°F At 150ft/min = 9.9°F At 100ft/min = 8.7°F

30"

PEDESTAL FAN



Cooling Effect: At 175ft/min = 10.3°F At 150ft/min = 9.9°F At 100ft/min = 8.7°F

JAN FAN DRUM FAN

Model Number	Product Description	Guard Blade Dia.	Weight (LB)	Shipping Weight (LB)	Fan Speed (Low-High)	Decibels*	CFM (Low-High) [†]	Rated Current
JF-DRUM36	36" Drum Fan	42"	100.5	104.28	670 - 810 RPM	81 dB	6220 - 7930	5.3A
JF-DRUM42	42" Drum Fan	48"	106.7	121.25	690 - 815 RPM	84 dB	7720 - 9965	5.3A

3 BLADES	ALUMINUM
CERTIFICATIONS	UL CERTIFIED
WARRANTY	2 YEARS

*Decibels at high speed

[†]Tested Per AMCA 230-23 Standard

WORKSTATION FAN

Model Number	Product Description	Guard Blade Dia.	Weight (LB)	Shipping Weight (LB)	Fan Speed (Low-High)	Decibels*	CFM (Low-High) [†]	Rated Current
JF-12F/JF-12F-S	12" WORKSTATION FAN	16"	7.45	9.55	1300 - 1600 RPM	49 dB	560 - 675	0.48A
JF-18F/JF-18F-S	18" WORKSTATION FAN	23"	12.95	18.65	1300 - 1500 RPM	56 dB	1,700 - 1,960	1.16A

3 BLADES	ALUMINUM
CERTIFICATIONS	UL CERTIFIED
WARRANTY	2 YEARS

*Decibels at high speed

[†]Tested Per AMCA 230-23 Standard



Scan for
technical
& warranty
documents.

HUNTER AIR CIRCULATORS

DRUM FAN

Model Number	Product Description	Guard Blade Dia.	Weight (LB)	Shipping Weight (LB)	Fan Speed (RPM)	Deci-bels*	CFM†	Rated Current
HAC-DRUM36	36" Drum Fan	37"	66.36	73.85	460 - 515	67	5,960 - 6,560	4.4A
HAC-DRUM42	42" Drum Fan	44"	79.59	88.63	460 - 510	73.6	8,240 - 9,120	5.7A

*Decibels at high speed.

†Tested Per AMCA 230-23 Standard

3 BLADES	ALUMINUM
CERTIFICATIONS	UL CERTIFIED
WARRANTY	1 YEAR

OSC. OUTDOOR PEDESTAL FAN

Model Number	Product Description	Guard Blade Dia.	Weight (LB)	Shipping Weight (LB)	Fan Speed (RPM)	Deci-bels*	CFM†	Rated Current
HAC-OPF24	24" Osc. Pedestal Fan	28"	40.57	54.45	950 - 1,090	65.4	2,760 - 3,340	2.0A
HAC-OPF30	30" Osc. Pedestal Fan	32"	46.08	56.44	950 - 1,090	70.1	4,170 - 4,690	2.0A

*Decibels at high speed.

†Tested Per AMCA 230-23 Standard

3 BLADES	ALUMINUM
CERTIFICATIONS	UL CERTIFIED
WARRANTY	1 YEAR

PEDESTAL FAN

Model Number	Product Description	Guard Blade Dia.	Weight (LB)	Shipping Weight (LB)	Fan Speed (RPM)	Deci-bels*	CFM†	Rated Current
HAC-PF24	24" Pedestal Fan	28"	31.53	39.24	900 - 1,100	63.2	2,390 - 2,890	2.0A
HAC-PF30	30" Pedestal Fan	32"	37.70	46.52	950 - 1,125	71.8	3,590 - 3,925	2.0A

*Decibels at high speed.

†Tested Per AMCA 230-23 Standard

3 BLADES	ALUMINUM
CERTIFICATIONS	UL CERTIFIED
WARRANTY	1 YEAR

ORBITAL WALL FAN

Model Number	Product Description	Guard Blade Dia.	Weight (LB)	Shipping Weight (LB)	Fan Speed (RPM)	Deci-bels*	CFM†	Rated Current
HAC-ORB20	20" Orbital Wall Fan w/ Remote	28"	15.87	22.27	1,270 - 1,440	66.2	1,780 - 1,857	1.35A

*Decibels at high speed.

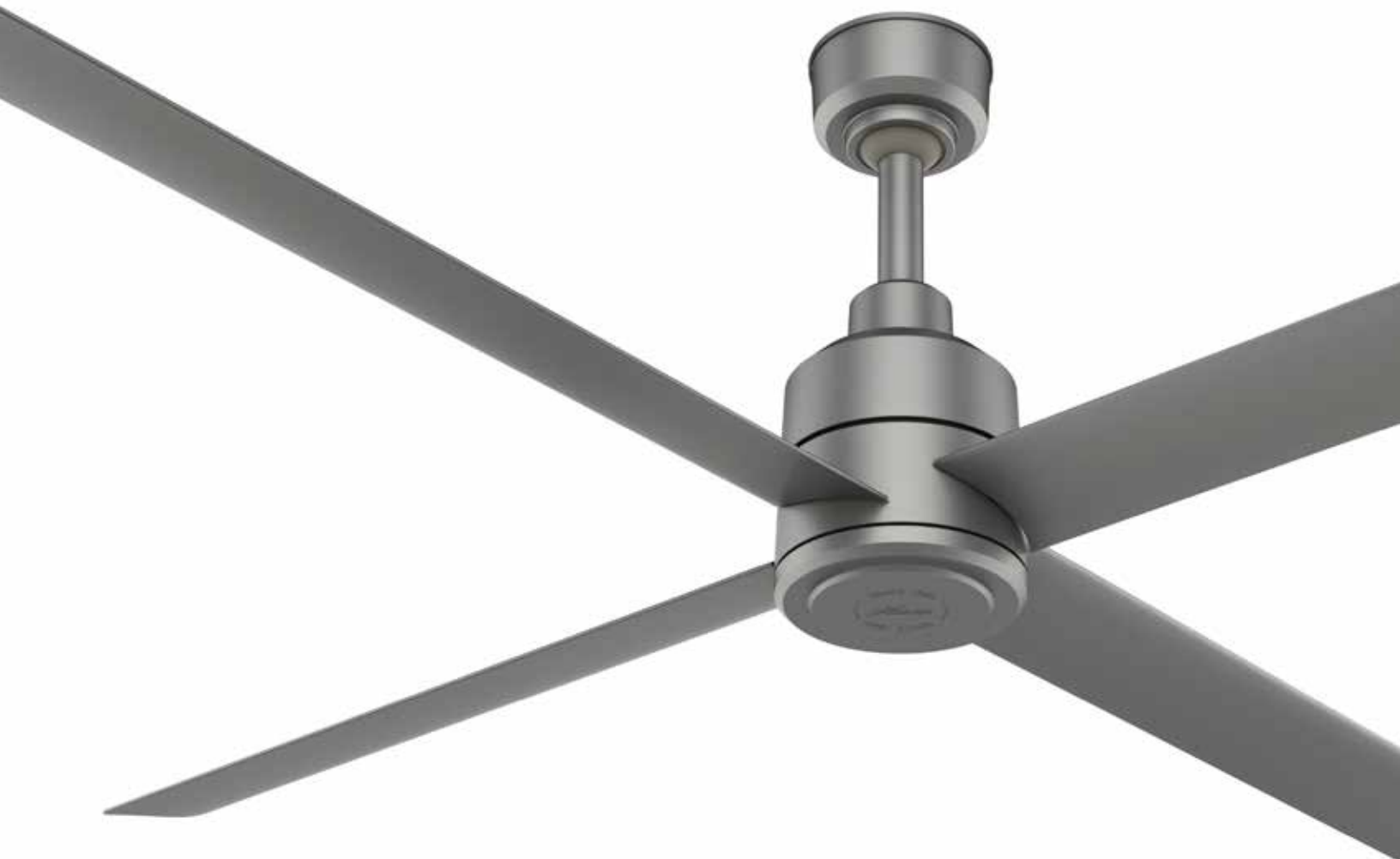
†Tested Per AMCA 230-23 Standard

3 BLADES	ALUMINUM
CERTIFICATIONS	UL CERTIFIED
WARRANTY	1 YEAR

TRAK & TRAK WIRED

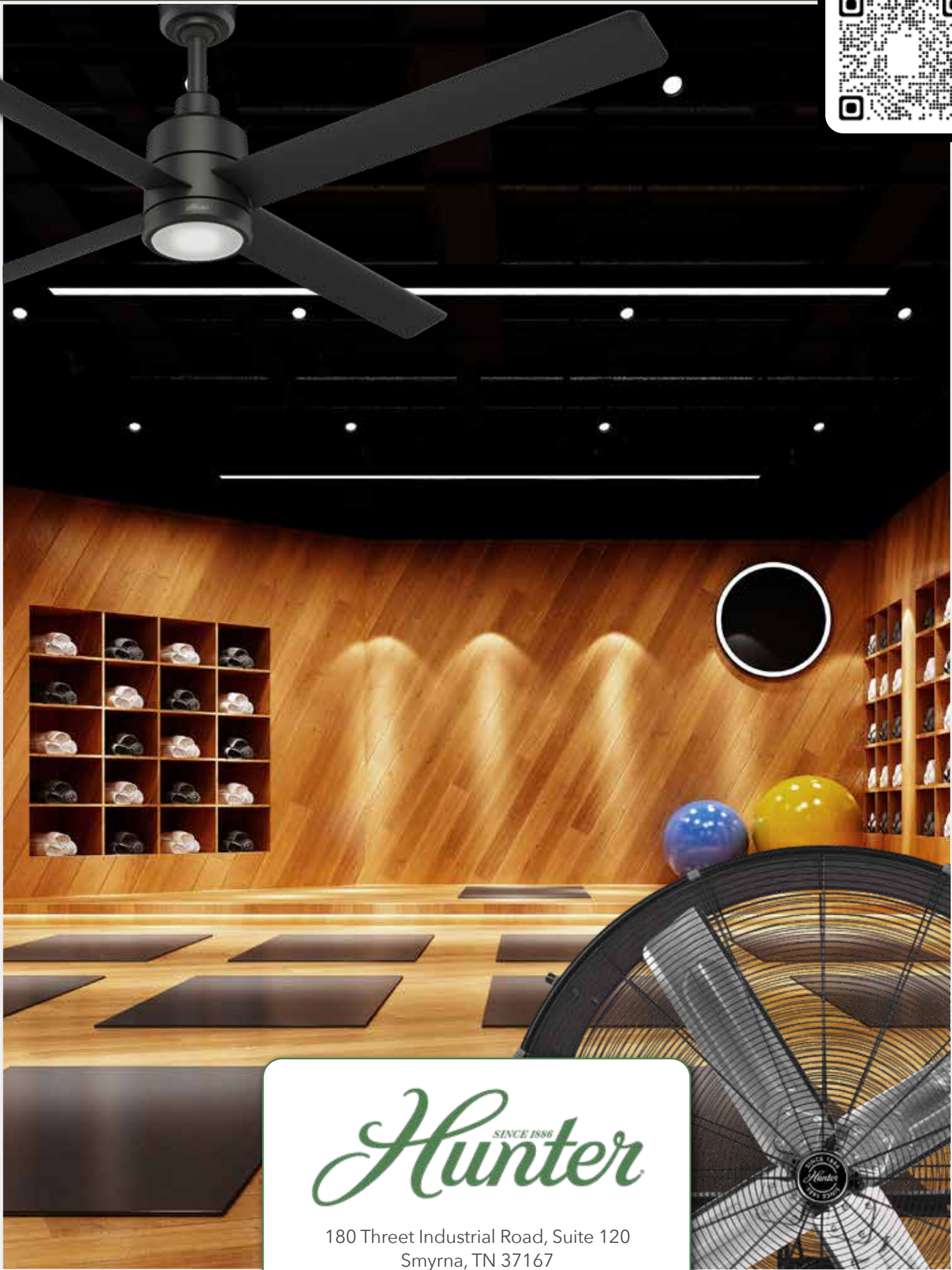
MOTOR	REVERSIBLE, 8-SPEED DC MOTOR
LIGHT VERSION	30W LED, 900 LUMENS, LM/W 30
LOCATION	UL 507 WET RATED & IP45
BLADE MATERIAL	6061-T6 AIRCRAFT GRADE ALUMINUM
SAFETY CABLE	1/4" 7X19 SAFETY CABLE
DOWNROD SIZES	11" STANDARD (23", 35", 47", & 59" OPTIONAL)
WARRANTY	3 YEARS

FAN DIAMETER	INPUT POWER & RATED CURRENT (A)				MAX POWER	FAN SPACING	MAX AFFECTED AREA	MAX SPEED	NOISE	WEIGHT
	480V/3PH	240V/3PH	240V/1PH	120V/1PH						
5	-	-	0.65	1.17	67.55	20	400	192	51	48
6	-	-	0.78	1.29	75.93	24	576	162	47	48.5
7	-	-	0.75	1.17	61.13	28	784	139	54	49
8	-	-	0.78	1.42	137.24	30	1024	143	54	49.5









Hunter SINCE 1886

180 Threet Industrial Road, Suite 120
Smyrna, TN 37167
industrialfans.hunterfan.com